

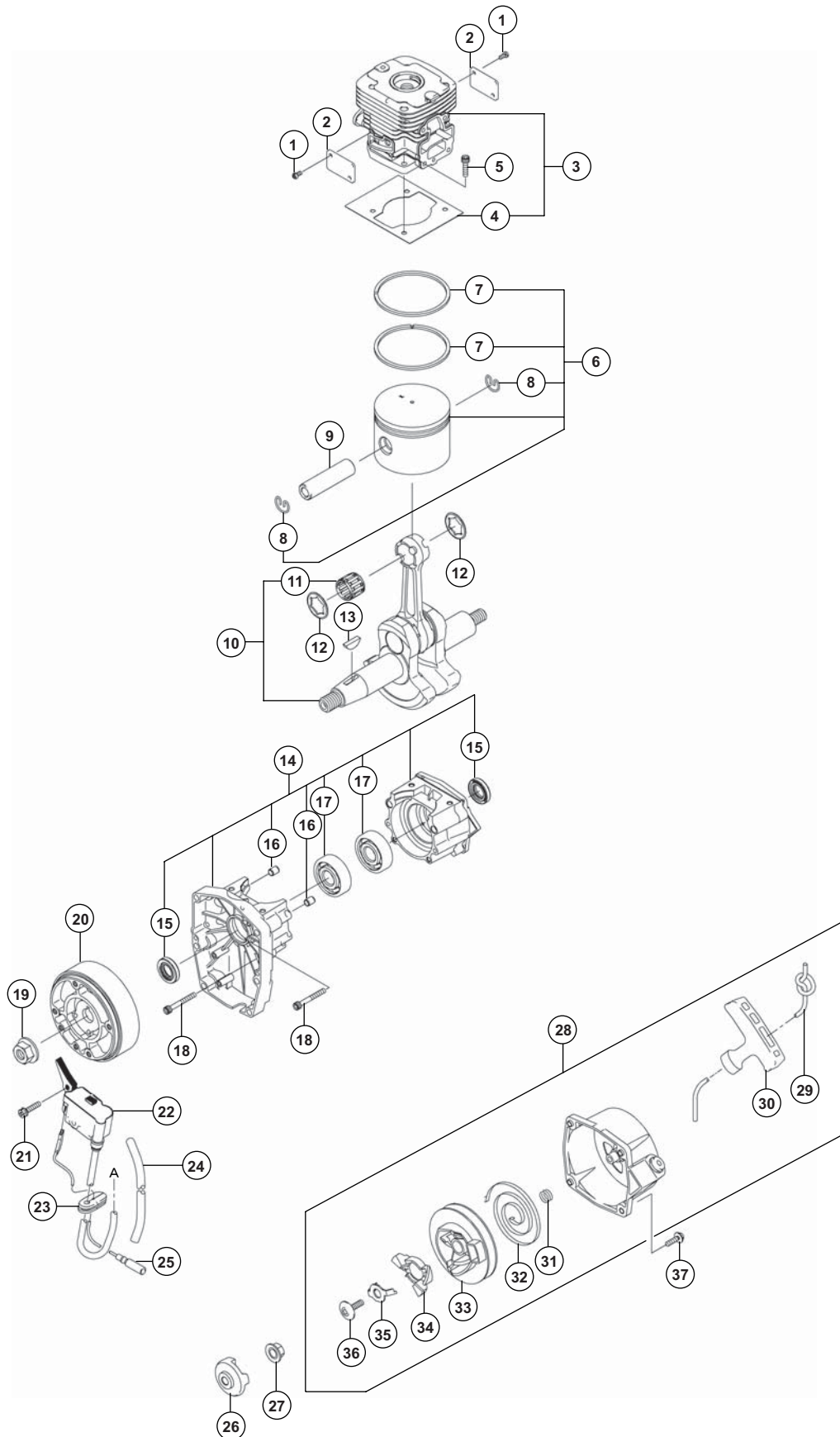
ENGINE TOOL PARTS LIST

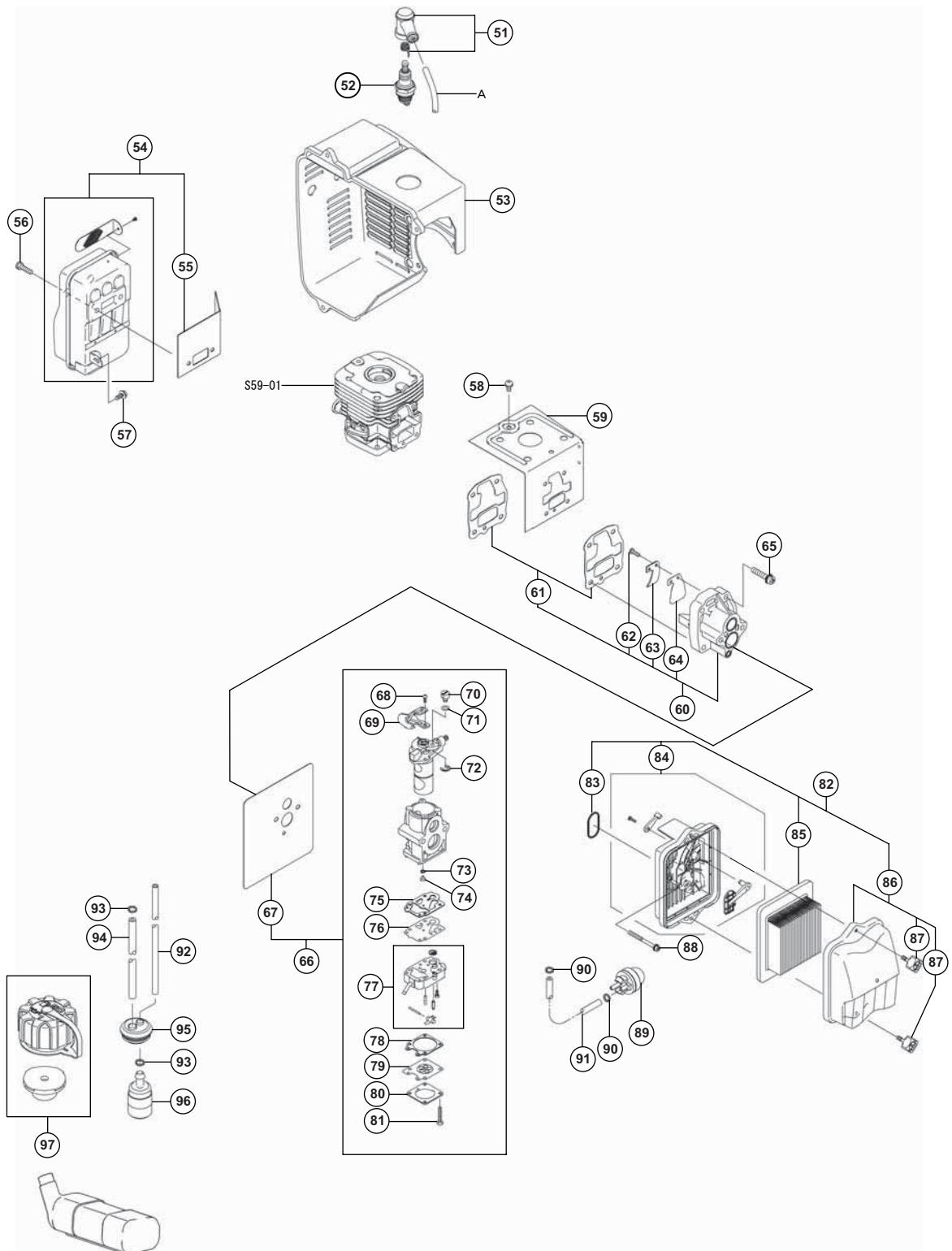
ENGINE BLOWER

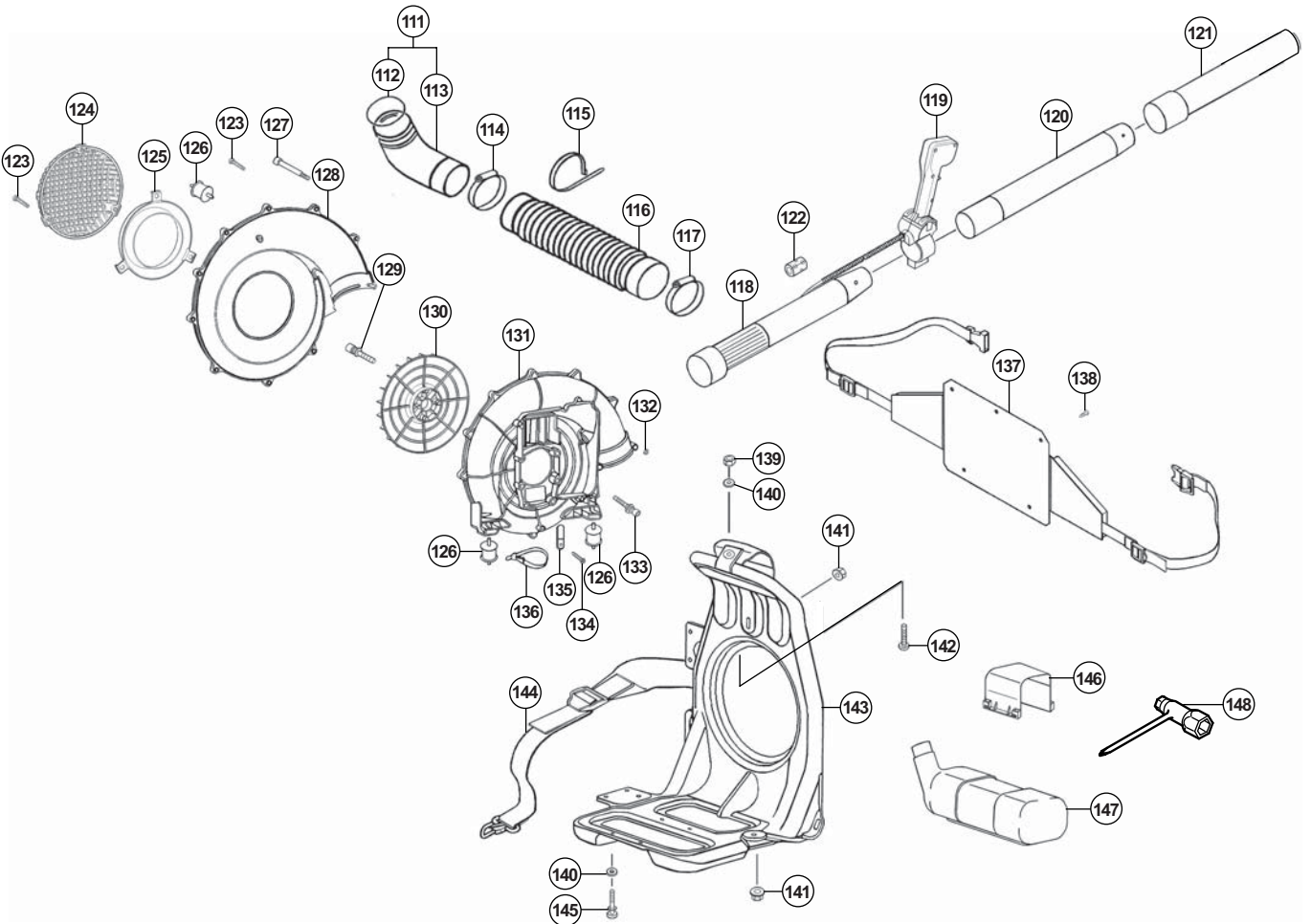
2010·10·15

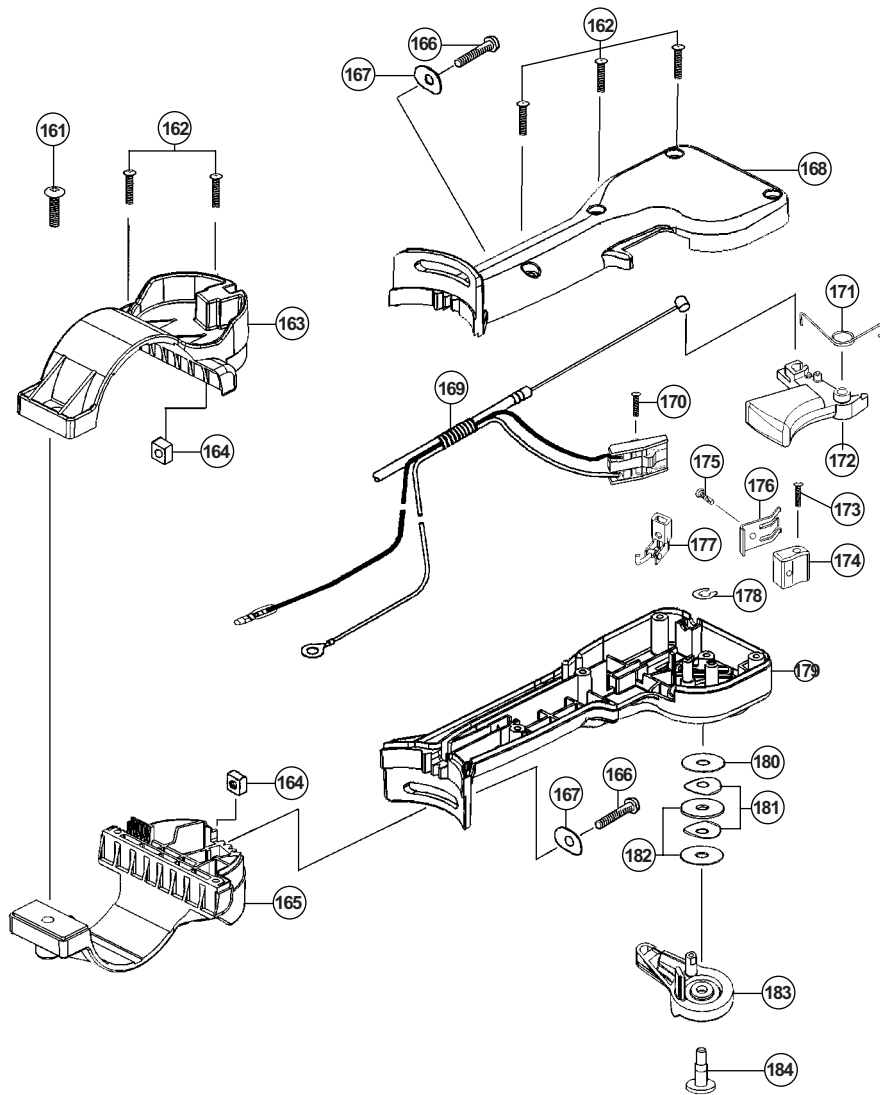
Model TRB 65EF (TANAKA BRAND)

(E1)









PARTS

TRB 65EF

ITEM NO.	CODE NO.	DESCRIPTION	NO. USED	REMARKS
1	669-7581	SCREW 4 X 8	4	
2	669-7475	PLATE	2	
3	669-7457	CYLINDER SET	1	INCLUD. 4
4	669-7461	CYLINDER GASKET	1	
5	669-5048	HEX. HOLE BOLT 5 X 20	4	
6	669-7466	PISTON SET	1	INCLUD. 7,8
7	669-7472	PISTON RING	2	
8	669-7471	SNAP RING	2	
9	669-7470	PISTON PIN	1	
10	669-7474	CRANK SHAFT ASS'Y	1	INCLUD. 11
11	669-7559	NEEDLE BEARING	1	
12	669-7468	SPACER	2	
13	669-7479	WOODRUFF KEY	1	
14	669-7480	CRANK CASE ASS'Y	1	INCLUD. 15-17
15	669-7587	OIL SEAL (TC17306)	2	
16	669-7586	PIN D8 X 10	2	
17	669-5573	BALL BEARING 6303-9	2	
18	669-5054	HEX. HOLE BOLT 5 X40	4	
19	669-7569	FLANGE NUT M10	1	
20	669-7488	FLYWHEEL ROTOR	1	
21	669-7580	BOLT (W/W)M4 X 20	2	
22	669-7491	IGNITION COIL	1	
23	669-7494	GROMMET	1	
24	669-7549	TUBE (6 X 7.4 X 300)	1	
25	669-7492	LEAD WIRE	1	
26	669-7558	STARTING PULLEY	1	
27	669-7584	NUT(W/W) M8	1	
28	669-7553	RECOIL STARTER ASS'Y	1	INCLUD. 29-36
29	669-7556	ROPE (3.5 X 1000)	1	
30	669-7557	STARTER GRIP	1	
31	669-7561	FRICTING SPRING	1	
32	669-7555	RECOIL SPRING	1	
33	669-7554	REEL	1	
34	669-7562	PAWL	1	
35	669-7560	RETAINER	1	
36	669-7563	SET SCREW	1	
37	669-7578	MACHINE SCREW M4 X 16	4	
51	669-7489	PLUG CAP	1	
52	668-5782	SPARK PLUG BPMR7A	1	
53	669-7552	ENGINE COVER(A)	1	
54	669-7550	MUFFLER SET	1	INCLUD. 55
55	669-7551	MUFFLER GASKET	1	
56	669-5060	HEX. HOLE BOLT 6 X 20	2	
57	669-7582	PAN HEAD SCREW(W/W)M5 X 14	1	
58	669-5433	SCREW 5 X 10/W	1	
59	669-7458	ENGINE COVER(B)	1	
60	669-7513	INSULATOR SET	1	INCLUD. 61-64
61	669-7512	INSULATOR GASKET	2	
62	669-7572	TAPPING SCREW D3 X 12	1	
63	669-7510	STOPPER	1	

PARTS

TRB 65EF

ITEM NO.	CODE NO.	DESCRIPTION	NO. USED	REMARKS	
64	669-7509	REED VALVE	1		
65	669-5394	SCREW 5 X 25 PS	4		
66	669-7523	CARBURETOR SET	1	INCLUD. 67-81	
67	669-7511	CARBURETOR GASKET	1		
68	668-4870	THROTTLE SET SCREW	2		
69	669-7532	BRACKET	1		
70	668-4697	SWIVEL	1		
71	668-4874	THRUST WASHER	1		
72	668-4696	STOP RING	1		
73	668-4695	O-RING	1		
74	669-7543	MAIN JET #55.5	1		
75	668-4692	PUMP GASKET	1		
76	668-4693	PUMP DIAPHRAGM	1		
77	669-7536	PUMP BODY	1		
78	668-5220	DIAPHRAGM PACKING	1		
79	668-4690	METERING DIAPHRAGM COMP.	1		
80	668-5222	DIAPHRAGM COVER	1		
81	668-4699	SET SCREW	4		
82	669-7514	AIR CLEANER ASS'Y	1	INCLUD. 83-86	
83	669-7588	O RING(ID31.2)	1		
84	669-7518	AIR FILTER	1		
85	669-7520	AIR FILTER ELEMENT	1		
86	669-7517	CLEANER CAP SET	1	INCLUD. 87	
87	669-7522	SPECIAL BOLT M5 X 18	2		
88	669-7579	PAN HEAD SCREW(W/W)M5 X 55	1		
89	669-7521	PRIMING PUMP	1		
90	669-7545	CLAMP(2)	2		
91	669-7546	TUBE (2.5 X 5 X 93)	1		
92	669-7548	TUBE (3 X 6 X 160)	1		
93	669-7519	CLAMP(1)	2		
94	669-7547	FUEL PIPE, 3 X 5 X 300	1		
95	669-7530	FUEL TANK GROMMET	1		
96	669-7544	FUEL TANK FILTER	1		
97	669-7541	TANK CAP	1		
111	669-7505	ELBOW PIPE ASS'Y	1	INCLUD. 112,113	
112	669-5687	O-RING G-95	1		
113	669-7504	ELBOW PIPE	1		
114	669-7503	PIPE BAND (A)NO.56	1		
115	669-7485	WIRE BAND(A)	1		
116	669-7482	FLEXIBLE PIPE	1		
117	669-7481	PIPE BAND (B)NO.52	1		
118	669-7483	SWIVEL PIPE	1		
119	669-7566	THROTTLE LEVER	1		
120	669-7484	MIDDLE PIPE	1		
121	669-7507	STRAIGHT PIPE	1		
*	122	669-7495	FERRITE CORE	1	FOR GBR
	123	669-5255	TAPPING SCREW 5 X 20	15	
	124	669-7476	FAN COVER	1	
	125	669-7477	COVER	1	
	126	669-7467	VIBRO-ISOLATING RUBBER	3	

PARTS

TRB 65EF

ITEM NO.	CODE NO.	DESCRIPTION	NO. USED	REMARKS
127	669-5067	HEX.HOLE BOLT 6 X 65	2	
128	669-7459	FAN CASE(S)	1	
129	669-7585	HEX SOCKET BOLT(W/W)(SUS)	4	
130	669-7487	FAN	1	
131	669-7460	FAN CASE(E)	1	
132	669-5164	NYLON LOCK NUT 6	2	
133	669-5063	HEX. HOLE BOLT 6 X 30	6	
134	669-7575	TAPPING SCREW D5 X 8	1	
135	669-7493	CLIP	1	
136	669-7486	WIRE BAND(B)	1	
137	669-7463	KNAPSACK PAD	1	
138	669-7469	CLIP	5	
139	669-5164	NYLON LOCK NUT 6	1	
140	669-7465	WASHER D6	5	
141	669-7583	NUT(W/W)M6	3	
142	669-4961	TRUSS SCREW 6 X 16	1	
143	669-7462	KNAPSACK FRAME	1	
144	669-7464	SHOULDER BAND	1	
145	669-7577	MACHINE SCREW(W/SW)M6 X 25	4	
146	669-7542	TANK BAND	1	
* 147	669-7539	FUEL TANK	1	FOR GBR
* 147	669-7540	FUEL TANK	1	FOR USA
148	669-7565	COMBINED BOX WRENCH(17 X 19)	1	
161	669-7576	TAPPING SCREW D5 X 25	1	
162	669-7574	TAPPING SCREW 4 X 20	6	
163	669-7516	BAND (R)	1	
164	669-7570	SQUARE NUT M6	2	
165	669-7515	BAND (L)	1	
166	669-7568	MACHINE SCREW M6 X 20	2	
167	669-7499	PLAIN WASHER	2	
168	669-7497	LEVER HOLDER(R)	1	
169	669-7567	THROTTLE WIRE	1	
170	669-7572	TAPPING SCREW D3 X 12	1	
171	669-7478	SPRING	1	
172	669-7502	LEVER	1	
173	669-7573	TAPPING SCREW D3 X 14	1	
174	669-7490	SWITCH STAY	1	
175	669-7571	TAPPING SCREW D3 X 8	1	
176	669-7500	LEAF SPRING	1	
177	669-7506	STOPPER	1	
178	669-7473	SNAP RING	1	
179	669-7501	LEVER HOLDER(L)	1	
180	669-7528	PLAIN WASHER(2)	1	
181	669-7564	ADJUST WASHER	2	
182	669-7496	PLAIN WASHER(1)	2	
183	669-7498	LOCK LEVER	1	
184	669-7508	SHAFT	1	

