

Hitachi Power Tools

LIST NO. G845

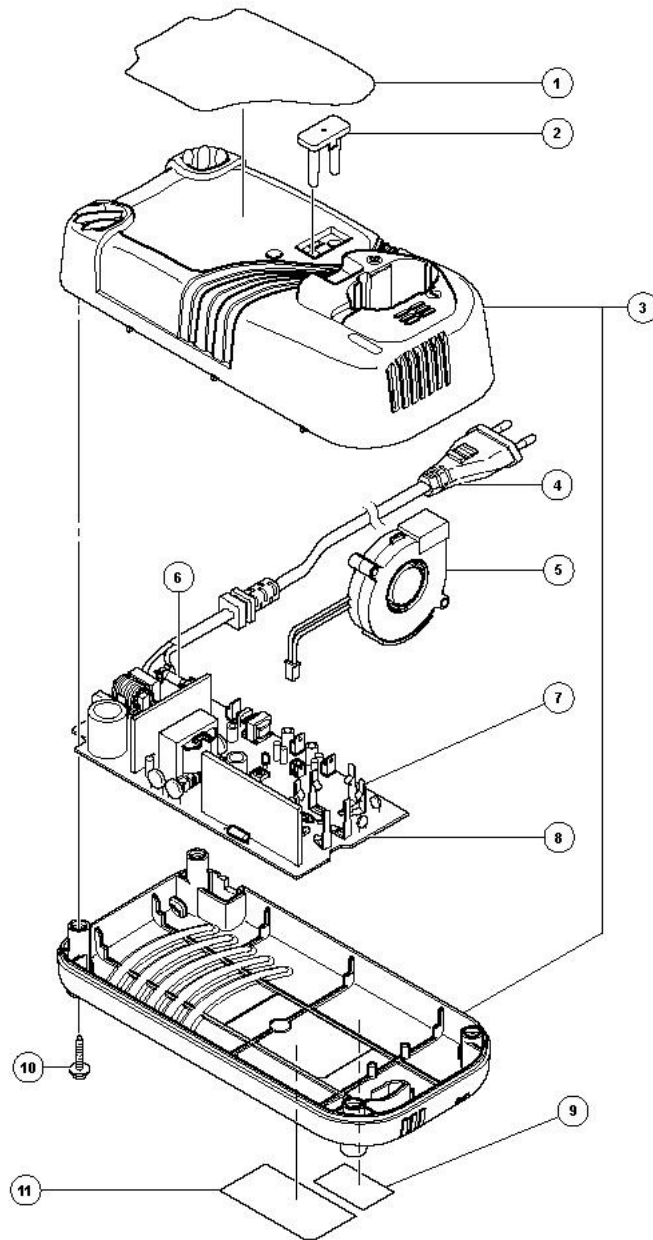
ELECTRIC TOOL PARTS LIST

■ CHARGER

2006 · 6 · 22

Model UC 18YRL

(E1)



UC18YRL

Pos. Nr.	Art. Nr.	Beschreibung	Stueck	Kommentar	Beschreibung
1			1		HITACHI LABEL
2	321-679	Ladekontrollanzeige UC18YFL	1		PRISM
3	326-281	Gehäuse kpl (A+B) UC18YFL	1		CASE (A).(B) SET
4	318-262	ANSCHLUSSKABEL UC9SD/UC12SD UC24YFA	1		CORD
4	318-261		1	FOR GBR	CORD
4	318-259		1	"FOR USA,CAN"	CORD
4	318-260		1	FOR AUS	CORD
5	326-306		1		FAN
6	319-781		1		FUSE (125V-3.15A)
6	319-780	SICHERUNG (250V-3 15A) UC24YFA	1		FUSE (250V-3.15A)
7	326-285	Anschlussklemme UC18YFL	7		TERMINAL (A)
8			1		PRINTED CIRCUIT BOARD ASS'Y 120V
8	000-008D		0	"INCLUD.6,7"	
8			1		PRINTED CIRCUIT BOARD ASS'Y 230V-240V
8	000-008D		0	"INCLUD.6,7"	
9			1		CAUTION LABEL
9	000-008D		0	"FOR USA,CAN"	
10	300-036	SCHNEIDSCHRAUBE D3X20 MIT FLANSCH	4		TAPPING SCREW (W/FLANGE) D3X20
11			1		NAME PLATE