

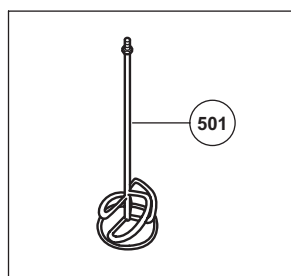
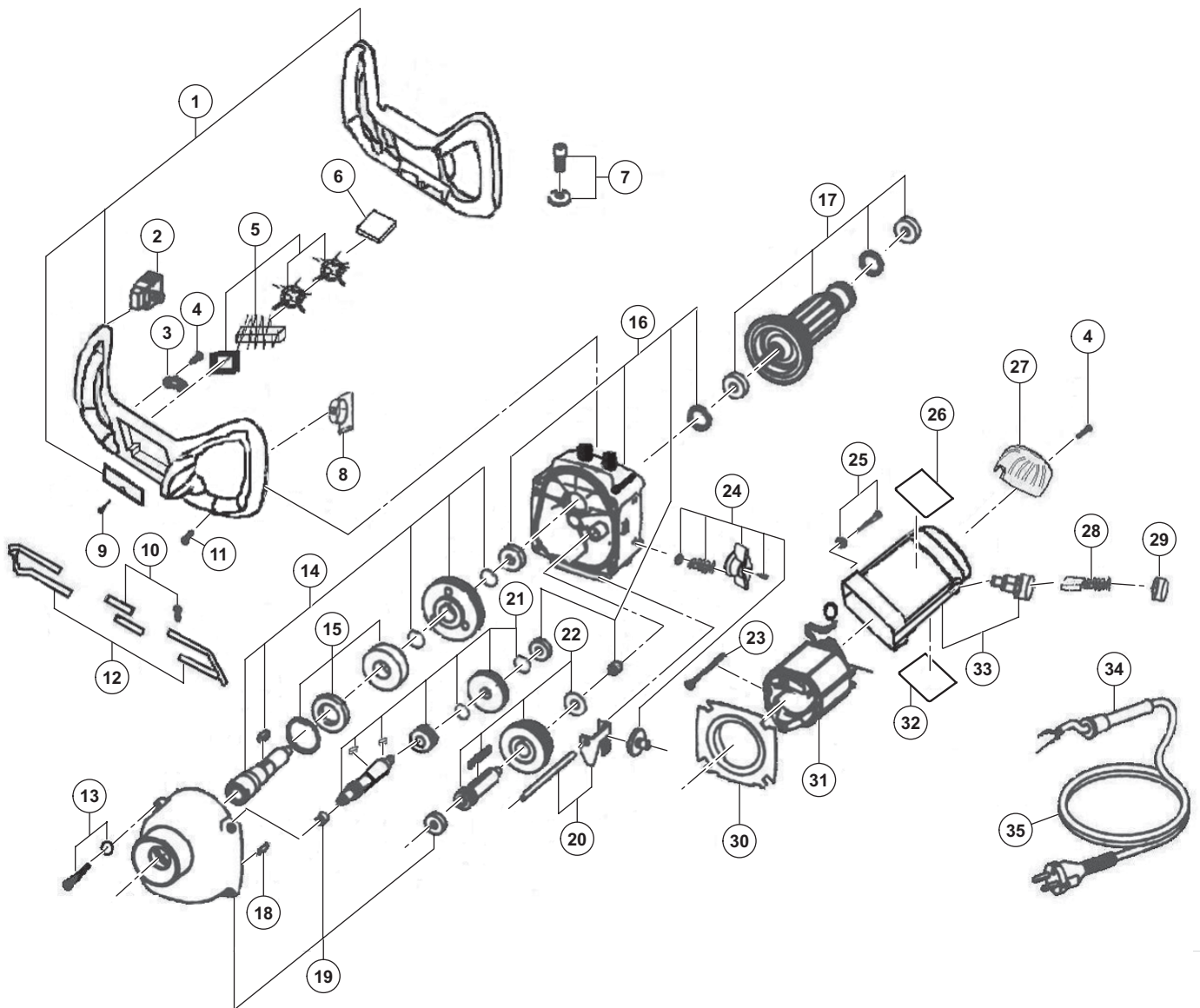
ELECTRIC TOOL PARTS LIST

MIXER

2010-12-22

Model UM 12VST

(E1)



PARTS

UM 12VST

ITEM NO.	CODE NO.	DESCRIPTION	NO. USED	REMARKS
1	333-604	HANDLE SET	1	
2	333-605	SWITCH	1	
3	333-609	CLAMP	1	
4	333-610	SCREW ST3.5 X 16 (4 PCS.)	4	
5	333-611	INDUCTANCE UNIT	1	
6	333-601	CONTROLLER	1	
7	333-606	SCREW M8 X 16 (4 PCS.)	4	
8	333-595	CIRCUITRY BOARD	1	
9	333-614	SCREW ST3.9 X 25 (5 PCS.)	1	
10	333-608	SCREW PLATE SET M6 X 20 (2 SET)	2	
11	333-613	SCREW ST3.9 X 20 (5 PCS.)	14	
12	333-607	HOB	1	
13	333-615	SCREW M5 X 20 (4 PCS.)	4	
14	333-617	SPINDLE GEAR SET	1	
15	333-618	BEARING WITH COVER	1	
16	333-619	GEAR BOX SET	1	
17	333-596	ARMATURE (UM 12VST)	1	
18	333-620	PIN (2 PCS.)	2	
19	333-616	BEARING COVER SET	1	
20	333-623	PIVOT SET	1	
21	333-621	SECOND PINION SET	1	
22	333-622	THIRD PINION SET	1	
23	333-627	SCREW ST4.2 X 70 (2 PCS.)	2	
24	333-624	LEVER SET	1	
25	333-630	SCREW M5 X 25 (4 PCS.)	4	
26		HITACHI LABEL	1	
27	333-602	REAR COVER	1	
28	333-631	CARBON BRUSH (2 PCS.)	2	
29	333-600	BRUSH CAP (2 PCS.)	2	
30	333-597	FAN GUIDE	1	
31	333-598	STATOR (UM 12VST)	1	
32		NAME PLATE	1	
33	333-599	MOTOR BOX SET	1	
34	333-636	SLEEVE	1	
35	333-637	CORD	1	

STANDARD ACCESSORIES

ITEM NO.	CODE NO.	DESCRIPTION	NO. USED	REMARKS
501	333-603	STIRRER D120	1	