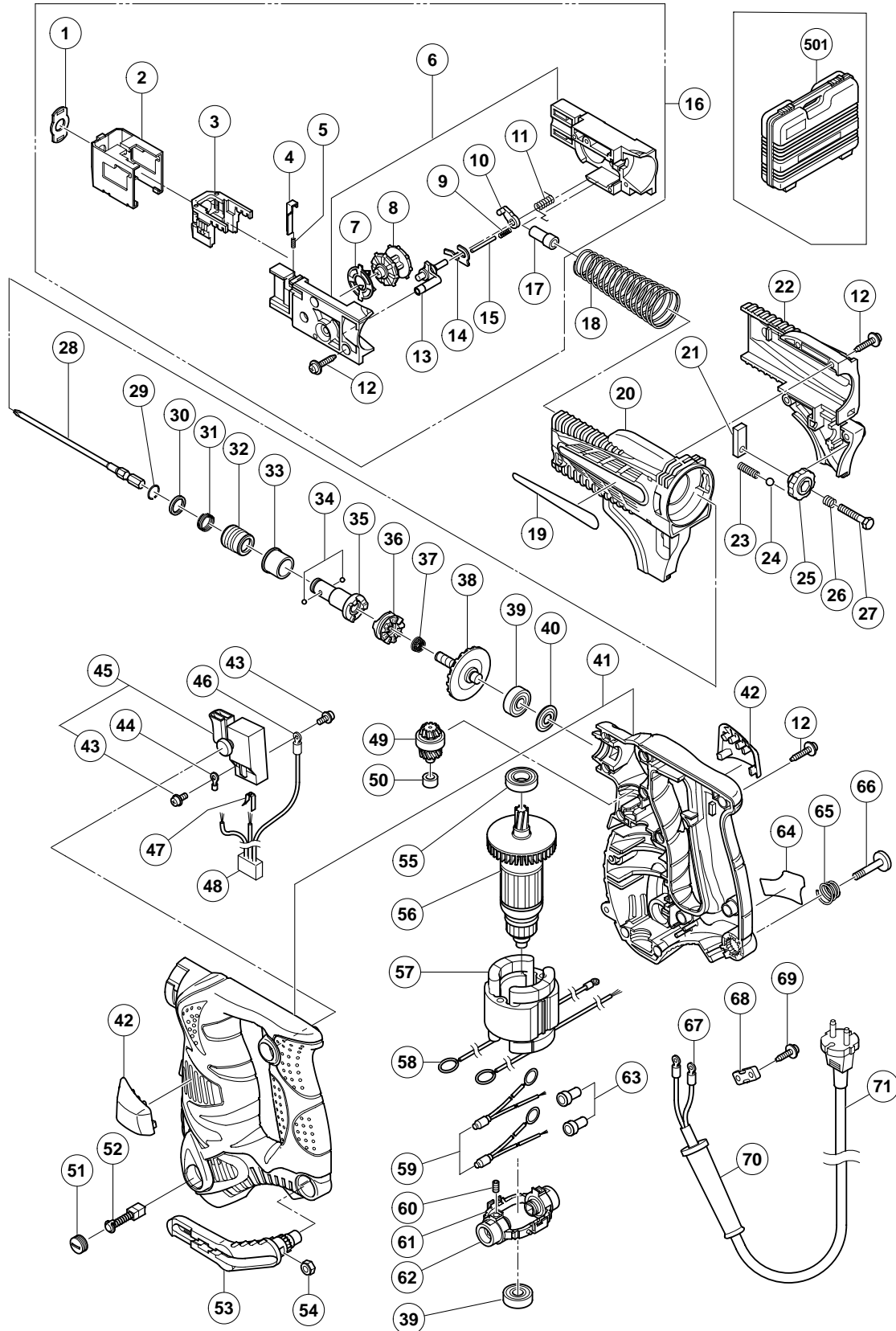


ELECTRIC TOOL PARTS LIST

AUTOMATIC SCREW DRIVER Model W 4YD

2005 • 10 • 12

(E1)



PARTS

W 4YD

ITEM NO.	CODE NO.	DESCRIPTION	NO. USED	REMARKS
1	324-183	SHEET (2 PCS.)	1	
2	324-863	STOPPER	1	
3	324-177	GUIDE BLOCK	1	
4	324-184	PLATE (A)	1	
5	324-185	SPRING (C)	1	
6	324-165	SLIDER (A).(B) SET	1	
7	324-175	CLUTCH PLATE	1	
8	324-167	SPROCKET	1	
9	324-489	SPRING	1	
10	324-173	ARM (B)	1	
11	324-174	ARM SPRING	1	
12	301-653	TAPPING SCREW (W/FLANGE) D4X20 (BLACK)	17	
13	324-169	ARM	1	
14	324-176	STOPPER PLATE	1	
15	885-349	PIN D2.5	1	
16	324-164	SLIDER ASS'Y	1	INCLUD. 1-15, 17
17	324-186	METAL (F)	1	
18	324-190	SPRING	1	
19		HITACHI LABEL	1	
20	324-162	SLIDER CASE (A)	1	
21	324-726	STOPPER PIN (A)	1	
22	324-163	SLIDER CASE (B)	1	
23	324-191	SPRING (A)	1	
24	959-148	STEEL BALL D3.175 (10 PCS.)	1	
25	324-187	KNOB	1	
26	312-430	SPRING	1	
27	324-188	BOLT M5	1	
28	324-134	+ DRIVER BIT NO. 2 136.4L	1	
29	995-933	RETAINING RING	1	
30	307-899	RETAINER	1	
31	995-931	GUIDE SPRING	1	
32	307-782	GUIDE SLEEVE (A)	1	
33	324-156	METAL	1	
34	959-148	STEEL BALL D3.175 (10 PCS.)	2	
35	324-155	SOCKET	1	
36	307-016	CLUTCH DISC	1	
37	306-024	SPRING	1	
38	324-153	FINAL GEAR AND GEAR SHAFT SET	1	
39	608-VVM	BALL BEARING 608VVC2PS2L	2	
40	950-513	WASHER	1	
41	324-193	HOUSING (A).(B) SET	1	
42	324-157	RUBBER COVER SET	1	
43	305-499	MACHINE SCREW (W/WASHER) M3.5X6	4	
44	960-356	TERMINAL (A) M3.5 (10 PCS.)	1	
45	324-864	SWITCH ASS'Y (2P SCREW TYPE) W/LOCK	1	INCLUD. 43
46	930-804	TERMINAL M4.0 (10 PCS.)	1	
47	302-488	EARTH TERMINAL	1	
48	994-273	NOISE SUPPRESSOR	1	
49	324-151	SECOND PINION AND GEAR SET	1	
50	324-150	NEEDLE BEARING	1	
51	931-266	BRUSH CAP	2	

