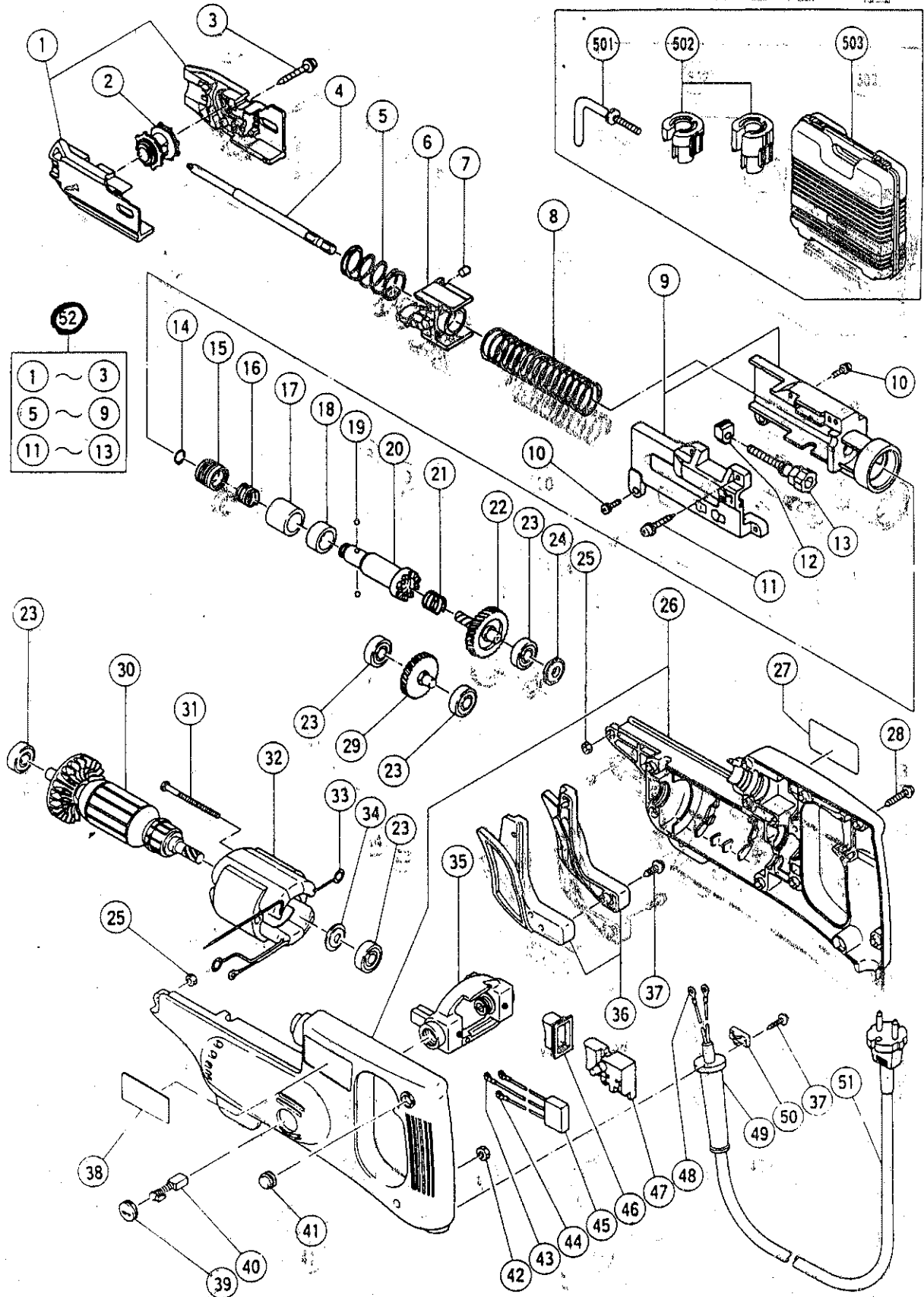


ELECTRIC TOOL PARTS LIST

■ AUTOMATIC SCREWDRIVER
Model W 4YF

1995.10.20

(E1)



PARTS

W 4YF

ITEM NO.	CODE NO.	DESCRIPTION	NO. USED	REMARKS
1	310-770	SLIDER (A) (B) SET <i>316042</i>	1	<i>313177 296 313178 796</i>
2	310-773	SPROCKET <i>313758</i>	1	
3	307-028	TAPPING SCREW (W/FLANGE) D4X25 (BLACK)	2	
4	307-011	DRIVER BIT NO.2 152L W/STEPED ROD (10 PCS.)	1	
5	310-775	SPRING (B)	1	
6	310-774	SLIDER (C)	1	
7	310-776	ROLLER D5.5X8	1	
8	307-029	SLIDER SPRING	1	
9	310-771	SLIDER CASE SET	1	
10	935-198	MACHINE SCREW (W/WASHERS) M4X12 (BLACK)	2	
11	301-853	TAPPING SCREW (W/FLANGE) D4X20 (BLACK)	3	
12	310-778	STOPPER (REV) W/FLANGE D4X20	1	
13	310-777	STOPPER PIN	1	
14	939-540	RETAINING RING FOR D10 SHAFT (10 PCS.)	1	
15	310-789	BIT HOLDER (10 PCS.)	1	
16	985-931	GUIDE SPRING	1	
17	307-018	METAL D15X19	1	
18	310-880	SLEEVE	1	
19	959-148	STEEL BALL D3.175 (10 PCS.)	2	
20	311-796	SOCKET (F)	1	
21	303-890	SPRING	1	
22	307-014	FINAL GEAR	1	
23	808-VVM	BALL BEARING 808VVMC2EPS2L	15	
24	303-887	WASHER (A)	1	
25	949-585	LOCK NUT M4 (10 PCS.)	2	
26	310-892	HOUSING (A) (B) SET	1	
27		NAME PLATE	1	
28	301-853	TAPPING SCREW (W/FLANGE) D4X20 (BLACK)	10	
29	307-012	SPINDLE GEAR	1	
30	360-371C	ARMATURE 110V	1	
30	360-371E	ARMATURE 230V	1	
30	360-371F	ARMATURE 240V	1	
31	981-421	HEX. HD. TAPPING SCREW D4X55	2	
	340-331C	STATOR ASS'Y M10V	1	INCLUDED 33
32	340-331E	STATOR ASS'Y 230V	1	INCLUDED 33
32	340-331F	STATOR ASS'Y 240V	1	INCLUDED 33
33	930-830	BRUSH TERMINAL	2	INCLUDED 33
34	310-880	DUST WASHER	1	
35	307-344	BRUSH HOLDER	1	
36	307-023	BELT GUIDE (A) (B) SET	1	
37	984-750	TAPPING SCREW (W/FLANGE) D4X18	3	
38		HITACHI LABEL (W/FLANGE)	1	
39	937-847	BRUSH CARBON	2	
40	999-021	CARBON BRUSH (1 PAIR)	2	
41	305-407	RUBBER COVER (B)	1	
42	949-586	LOCK NUT M5 (10 PCS.)	1	
43	959-144	TERMINAL 50051 (10 PCS.)	1	FOR NOISE SUPPRESSOR
44	980-083	TERMINAL	2	FOR NOISE SUPPRESSOR
45	994-273	NOISE SUPPRESSOR	1	NOISE SET 350R
46	303-328	SWITCH RUBBER COVER	1	
47	305-791	SWITCH (C) (2P SCREW TYPE) W/LOCK	1	

ALTERNATIVE PARTS

