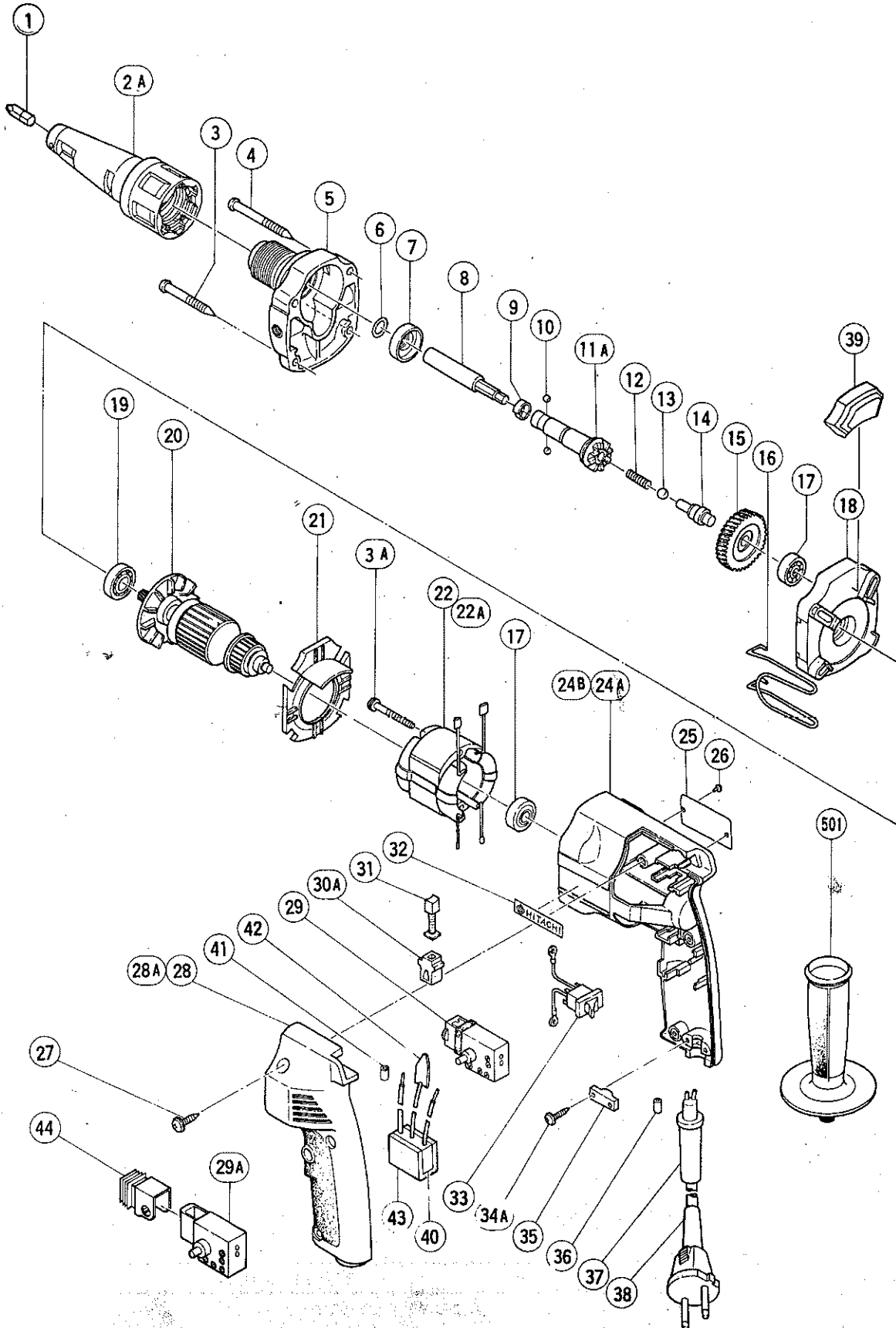


ELECTRIC TOOL PARTS LIST

■ SCREW DRIVER
Model W 6V1

1990 · 12 · 21
(E5)



PARTS

W 6V1

ITEM NO.	CODE NO.	DESCRIPTION	NO. USED	REMARKS
1	971-511Z	+ DRIVER BIT (A) NO.2 25L	1	
2A	982-555Z	LOCATOR (A)	1	
3	950-514	TAPPING SCREW D4X40	2	
3A	992-630	TAPPING SCREW (W/SP. WASHER) D4X40	2	
4	950-515	TAPPING SCREW D4X50	2	
*	5	982-582Z	1	INCLUD.6
*	5	982-561	1	INCLUD.6 FOR USA,CAN
6	982-564	O - RING (1AP - 15)	1	
7	971-468	FRINGER (A)	1	
8	982-554Z	MAGNETIC BIT HOLDER	1	
9	872-573	SET RING	1	
10	959-148	STEEL BALL D3.175 (10 PCS.)	2	
11A	982-572	SOCKET (A)	1	
12	943-523	SPRING (A)	1	
13	959-154	STEEL BALL D5.556 (10 PCS.)	1	
14	982-552	GEAR SHAFT	1	
15	982-571	GEAR (A)	1	
16	950-511	HOOK	1	
17	608-VVM	BALL BEARING 608VVMC2EPS2L	2	
18	998-500	INNER COVER	1	
19	609-VVM	BALL BEARING 609VVMC2PS2S	1	
*	20	360-048U	1	INCLUD.17,19 FOR CAN
*	20	360-113C	1	
*	20	360-113E	1	
*	20	360-113F	1	
*	20	360-113G	1	FOR ITA,HOL,DEN
*	20	360-113H	1	FOR GBR
*	20	360-113J	1	FOR GBR
*	20	360-175	1	FOR KOR
21	950-504	FAN GUIDE	1	
*	22	340-099C	1	
*	22	340-099D	1	
*	22	340-099F	1	
*	22	340-099H	1	FOR GBR
*	22	340-099J	1	FOR GBR
*	22	340-099K	1	
*	22	340-135	1	FOR KOR
*	22	340-150G	1	FOR HOL,DEN,ITA
*	22A	340-099M	1	FOR FRG
*	24A	991-880	1	(TILL 12.1987 FOR USA ONLY)
*	24B	995-380	1	SINCE 1.1988 FOR USA
25		NAME PLATE	1	
*	26	932-642	2	FOR CAN
27	982-095	TAPPING SCREW (W/WASHER) D4X20	3	
*	28	991-885	1	(TILL 12.1987 FOR USA ONLY)
*	28A	995-381	1	SINCE 1.1988 FOR USA
*	29	982-559Z	1	
*	29	985-347	1	(TILL 12.1987 FOR USA ONLY)
*	29A	998-185	1	SINCE 1.1988 FOR USA
30A	930-483	BRUSH HOLDER	2	
*	31	999-041	1	FOR USA,CAN

*: ALTERNATIVE PARTS

12 - 90

