

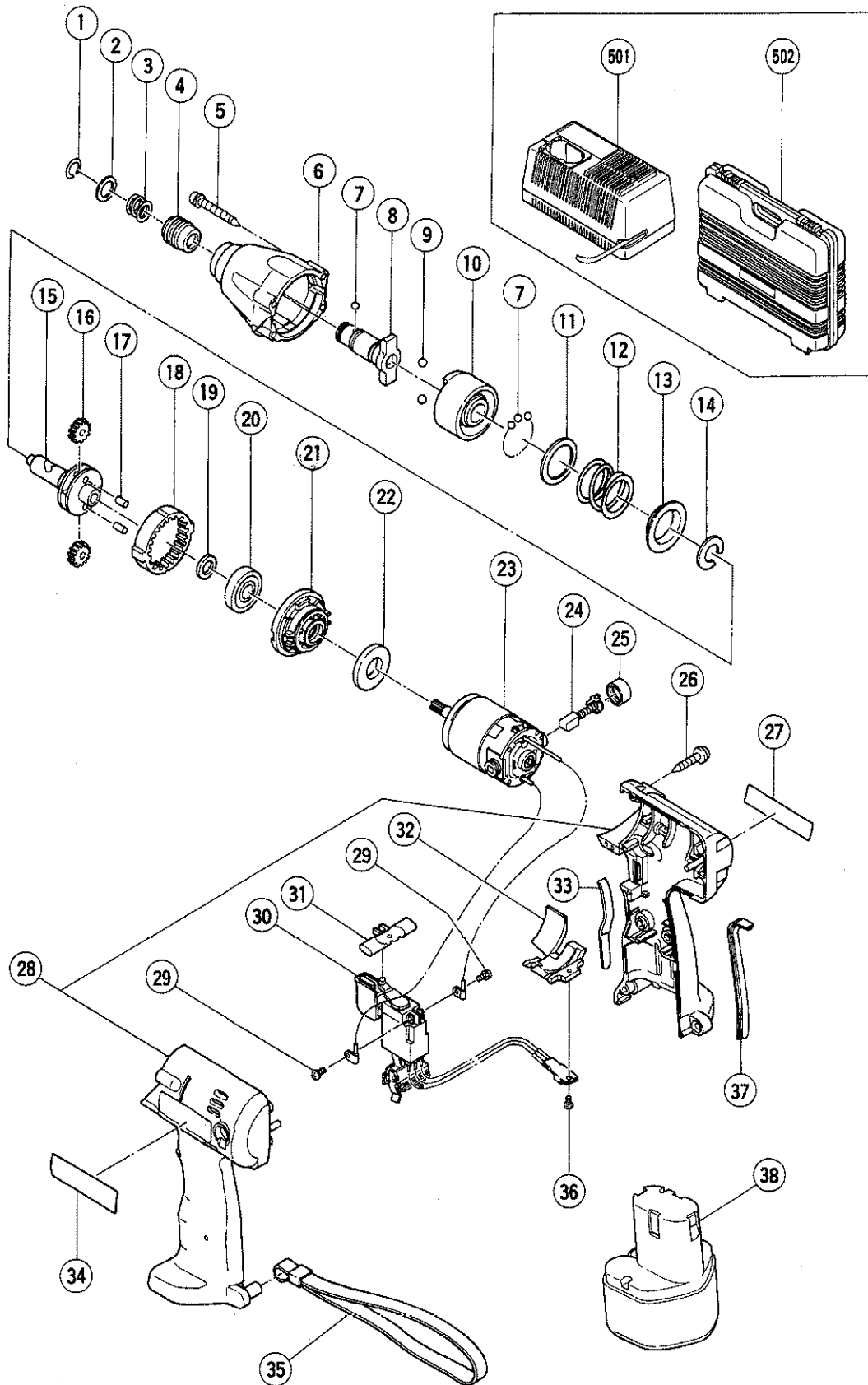
## ELECTRIC TOOL PARTS LIST

■ CORDLESS IMPACT DRIVER

1999·3·30

Model WH 8DH

(E1)



### PARTS

WH 8DH

ITEM NO.	CODE NO.	DESCRIPTION	NO. USED	REMARKS
1	315-984	RETAINING RING	1	
2	315-983	WASHER (D)	1	
3	315-982	GUIDE SPRING	1	
4	315-981	GUIDE SLEEVE	1	
5	307-851	TAPPING SCREW (W/SP. WASHER) D4X30(BLACK)	4	
6	317-339	HAMMER CASE	1	
7	315-980	STEEL BALL D3.5	26	
8	317-338	ANVIL (B)	1	
9	959-154	STEEL BALL D5.556 (10 PCS.)	2	
10	316-780	HAMMER	1	
11	315-978	WASHER (J)	1	
12	316-781	SPRING	1	
13	316-172	WASHER (S)	1	
14	316-171	STOPPER	1	
15	316-169	SPINDLE	1	
16	316-313	IDLE GEAR	2	
17	991-449	NEEDLE ROLLER	2	
18	302-337	RING GEAR	1	
19	991-455	WASHER (C)	1	
20	600-1VV	BALL BEARING 6001VVCMP52L	1	
21	316-167	INNER COVER	1	
22	310-319	DAMPER	1	
23	316-782	MOTOR	1	
24	999-054	CARBON BRUSH 5X6X11.5 (1 PAIR)	2	
25	316-180	BRUSH CAP	2	
26	302-086	TAPPING SCREW (W/FLANGE) D4X20 (BLACK)	7	
27		NAME PLATE	1	
28	317-879	HOUSING (A).(B) SET (GREEN)	1	INCLUD.33,37
29	994-532	MACHINE SCREW (W/SP. WASHER) M3X5	2	
30	316-783	DC-SPEED CONTROL SWITCH	1	
31	316-166	PUSHING BUTTON	1	
32	316-179	FIN ASS'Y	1	(INCLUD.36)
33	316-178	GRIP (F)	1	
34		HITACHI LABEL	1	
35	306-952	STRAP	1	
36	311-131	S-TIGHT SCREW D3.5X6	1	
37	316-177	GRIP (R)	1	
*	310-377	BATTERY EB 9B (W/ENGLISH N.P.)	1	
*	310-450	BATTERY EB 9B (W/ENGLISH N.P.)	1	FOR TPE,NZL,AUS,SIN
*	310-451	BATTERY EB 9B (W/ENGLISH N.P.)	1	FOR USA,CAN
*	316-662	BATTERY EB 9H (W/ENGLISH N.P.)	1	

\* : ALTERNATIVE PARTS

**STANDARD ACCESSORIES**

WH 8DH

ITEM NO.	CODE NO.	DESCRIPTION	NO. USED	REMARKS
501		CHARGER(MODEL UC 14YF2)	1	DEPENDING ON ORDER SPEC.
502	306-306	CASE	1	

**OPTIONAL ACCESSORIES**

ITEM NO.	CODE NO.	DESCRIPTION	NO. USED	REMARKS
601	316-662	BATTERY EB 9H (W/ENGLISH N.P.)	1	EXCEPT FOR TPE,NZL,AUS,SIN,USA
602	992-671	+ DRIVER BIT (B) NO.2 50L	1	
603	992-672	+ DRIVER BIT (B) NO.3 50L	1	
604	996-177	NON-MAGNETIC HEX. SOCKET 8MM 65L	1	
605	985-329	NON-MAGNETIC HEX. SOCKET 10MM 65L	1	
606	996-178	NON-MAGNETIC HEX. SOCKET 12MM 65L	1	
607	996-179	NON-MAGNETIC HEX. SOCKET 13MM 65L	1	
608	996-180	NON-MAGNETIC HEX. SOCKET 14MM 65L	1	
609	996-181	NON-MAGNETIC HEX. SOCKET 16MM 65L	1	
610	996-182	NON-MAGNETIC HEX. SOCKET 17MM 65L	1	
611	996-185	NON-MAGNETIC HEX. SOCKET 15MM 65L	1	
612	996-186	NON-MAGNETIC HEX. SOCKET 19MM 65L	1	
613	996-197	HEX. SOCKET (LONG) 21MMX166L	1	
614	996-195	DRILL CHUCK AND ADAPTER SET	1	INCLUD.615,616
615	930-119	CHUCK WRENCH 6.5G	1	
616	307-543	CHUCK ADAPTER	1	
617	307-824	HOLSTER	1	
618	308-090	HOOK (FOR CORDLESS TOOLS)	1	
619	309-922	GREASE FOR IMPACT DRIVER (500G)	1	