

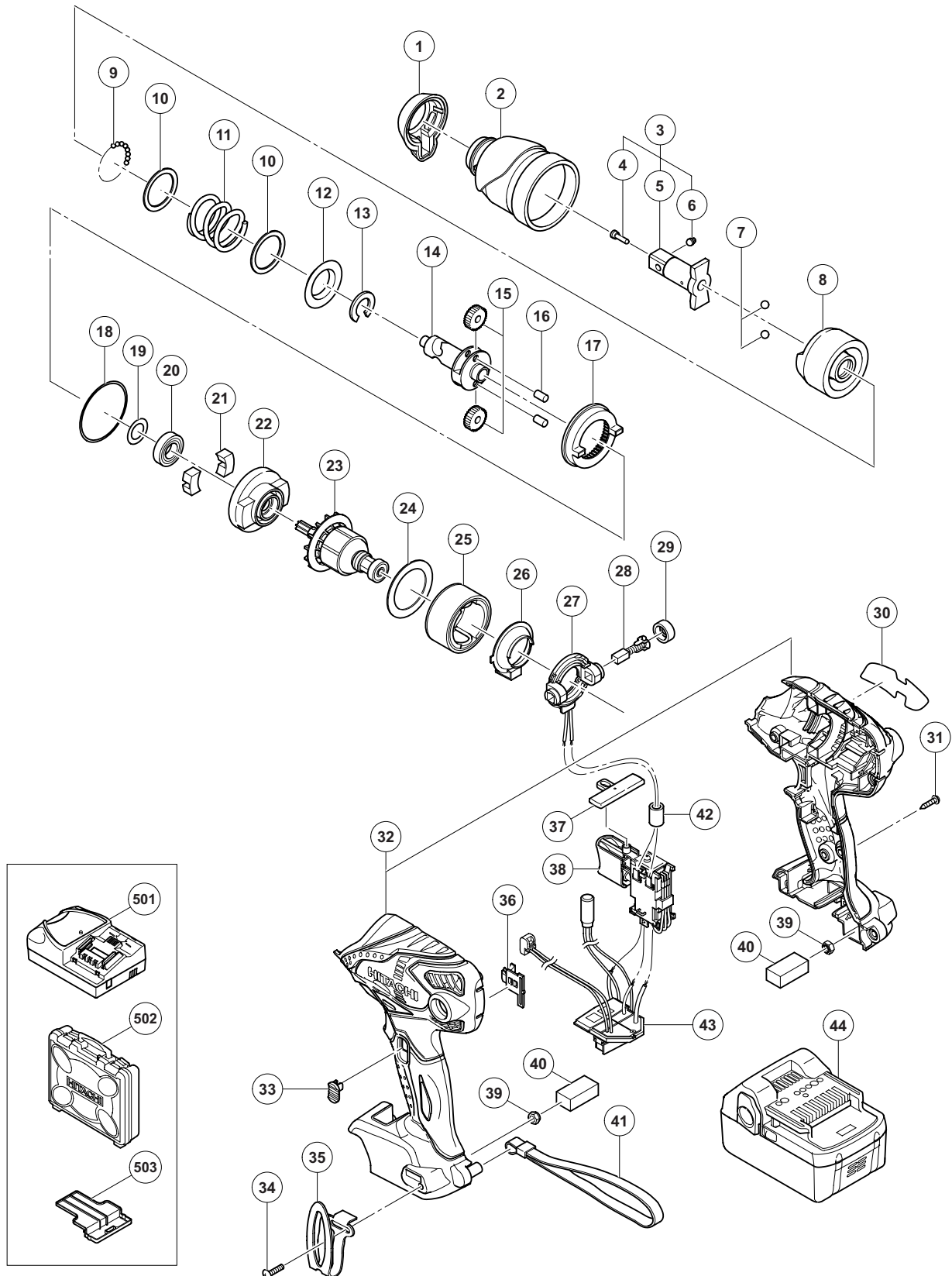
ELECTRIC TOOL PARTS LIST

CORDLESS IMPACT WRENCH

2012-9-10

Model WR 18DSDL

(E1)



PARTS

WR 18DSDL

ITEM NO.	CODE NO.	DESCRIPTION	NO. USED	REMARKS	
1	332-198	FRONT CAP	1		
2	332-200	HAMMER CASE	1		
3	332-196	ANVIL (D) ASS'Y	1	INCLUD. 4-6	
4	324-257	PIN RETAINER (B)	1		
5	332-197	ANVIL (D)	1		
6	324-256	PLUNGER (B)	1		
7	959-154	STEEL BALL D5.556 (10 PCS.)	2		
8	333-749	HAMMER	1		
9	959-148	STEEL BALL D3.175 (10 PCS.)	28		
10	315-978	WASHER (J)	2		
11	324-224	HAMMER SPRING (F)	1		
12	316-172	WASHER (S)	1		
13	324-222	STOPPER (B)	1		
14	332-186	SPINDLE	1		
15	326-295	IDLE GEAR SET (2 PCS.)	2		
16	319-914	NEEDLE ROLLER	2		
17	326-787	RING GEAR(E)	1		
18	983-852	O-RING (S-42)	1		
19	319-911	WASHER (E)	1		
20	690-1VV	BALL BEARING 6901VVCMP2L	1		
21	324-230	DAMPER (A)	2		
22	332-185	INNER COVER	1		
23	360-947	ARMATURE AND PINION SET	1		
24	324-607	SIDE YOKE (A)	1		
25	334-901	MAGNET (J) ASS'Y	1	INCLUD. 24	
26	324-228	DUST GUARD FIN (B)	1		
27	334-955	BRUSH BLOCK	1		
28	999-054	CARBON BRUSH 5 X 6 X 11.5 (1 PAIR)	2		
29	319-918	BRUSH CAP	2		
30		NAME PLATE	1		
31	301-653	TAPPING SCREW (W/FLANGE) D4 X 20 (BLACK)	9		
32	334-953	HOUSING (A).(B) SET	1		
33	329-519	LEVER (A)	1		
34	327-001	TRUSS HD. SCREW M4 (BLACK)	1		
35	332-824	HOOK	1		
36	329-520	LEVER (B)	1		
37	329-454	PUSHING BUTTON (A)	1		
38	334-956	DC-SPEED CONTROL SWITCH	1		
39	327-002	LOCK NUT M4 (BLACK)	2		
40	328-644	PACKING	2		
*	41	306-952	STRAP (BLACK)	1	EXCEPT FOR USA, CAN
*	42	318-247	FERRITE CORE	1	FOR EUROPE, GBR, NOR, SWE, DEN, FIN, RUS, AUT, SAF, ISR
	43	334-958	CONTROLLER TERMINAL SET	1	
*	44	330-068	BATTERY BSL 1830 (EUROPE, AUS, NZL)	2	
*	44	330-067	BATTERY BSL 1830 (USA, CAN)	2	
*	44	334-728	BATTERY BSL 1830 (CHN)	2	
*	44	334-729	BATTERY BSL 1830 (TPE)	2	
*	44	334-905	BATTERY BSL 1830 (KOR)	2	
*	44	334-421	BATTERY BSL 1840 (EUROPE, AUS, NZL)	2	

STANDARD ACCESSORIES

WR 18DSDL

ITEM NO.	CODE NO.	DESCRIPTION	NO. USED	REMARKS
501		CHARGER (MODEL UC 18YRSL)	1	
502	323-230	CASE	1	
503	329-897	BATTERY COVER	1	

OPTIONAL ACCESSORIES

ITEM NO.	CODE NO.	DESCRIPTION	NO. USED	REMARKS
601	873-537	SOCKET PIN	1	
602	873-187	O-RING (J1SW1516)	1	
603	991-481	FORM TIE SOCKET ASS'Y 11.3 MM X 95L	1	INCLUD. 601, 602
604	992-610	UNIVERSAL JOINT ASS'Y	1	INCLUD. 601, 602
605	955-153	UNIVERSAL JOINT PIN	1	
606	991-476	BIT ADAPTER ASS'Y	1	INCLUD. 601, 602
607	944-291	HEX. SOCKET ASS'Y 10 MM X 40L	1	INCLUD. 601, 602
608	873-632	HEX. SOCKET ASS'Y 12 MM X 40L	1	INCLUD. 601, 602
609	873-539	HEX. SOCKET ASS'Y 13 MM X 40L	1	INCLUD. 601, 602
610	873-540	HEX. SOCKET ASS'Y 14 MM X 40L	1	INCLUD. 601, 602
611	873-536	HEX. SOCKET ASS'Y 17 MM X 32L	1	INCLUD. 601, 602
612	873-624	HEX. SOCKET ASS'Y 19 MM X 34L	1	INCLUD. 601, 602
613	873-626	HEX. SOCKET ASS'Y 21 MM X 36L	1	INCLUD. 601, 602
614	873-627	HEX. SOCKET ASS'Y 22 MM X 40L	1	INCLUD. 601, 602
615	986-058	HEX. SOCKET FOR PLASTIC CONE 12 MM X 70L	1	INCLUD. 601, 602
616	873-633	EXTENSION BAR ASS'Y (SQUARE) 12.7 MM X 100L	1	INCLUD. 601, 602
617	955-138	HEX. SOCKET ASS'Y (LONG) 12 MM X 52L	1	INCLUD. 601, 602
618	955-139	HEX. SOCKET ASS'Y (LONG) 13 MM X 52L	1	INCLUD. 601, 602
619	955-140	HEX. SOCKET ASS'Y (LONG) 14 MM X 52L	1	INCLUD. 601, 602
620	955-141	HEX. SOCKET ASS'Y (LONG) 17 MM X 52L	1	INCLUD. 601, 602
621	955-149	HEX. SOCKET ASS'Y (LONG) 17 MM X 75L	1	INCLUD. 601, 602
622	955-142	HEX. SOCKET ASS'Y (LONG) 19 MM X 52L	1	INCLUD. 601, 602
623	955-150	HEX. SOCKET ASS'Y (LONG) 19 MM X 75L	1	INCLUD. 601, 602
624	955-143	HEX. SOCKET ASS'Y (LONG) 21 MM X 52L	1	INCLUD. 601, 602
625	955-151	HEX. SOCKET ASS'Y (LONG) 21 MM X 75L	1	INCLUD. 601, 602
626	991-480	HEX. SOCKET ASS'Y (LONG) 21 MM X 125L	1	INCLUD. 601, 602
627	955-144	HEX. SOCKET ASS'Y (LONG) 22 MM X 52L	1	INCLUD. 601, 602
628	993-658	SOCKET ASS'Y FOR DUCT 12 MM X 95L	1	INCLUD. 601, 602, 629
629	993-659	SOCKET FOR DUCT 12 MM X 52L	1	
630	992-613	SOCKET ASS'Y FOR DUCT 13 MM X 95L	1	INCLUD. 601, 602, 631
631	992-614	SOCKET FOR DUCT 13 MM X 52L	1	
632	992-615	SOCKET ASS'Y FOR DUCT 14 MM X 95L	1	INCLUD. 601, 602, 633
633	992-616	SOCKET FOR DUCT 14 MM X 52L	1	
634	309-922	GREASE FOR IMPACT DRIVER (500G)	1	

