

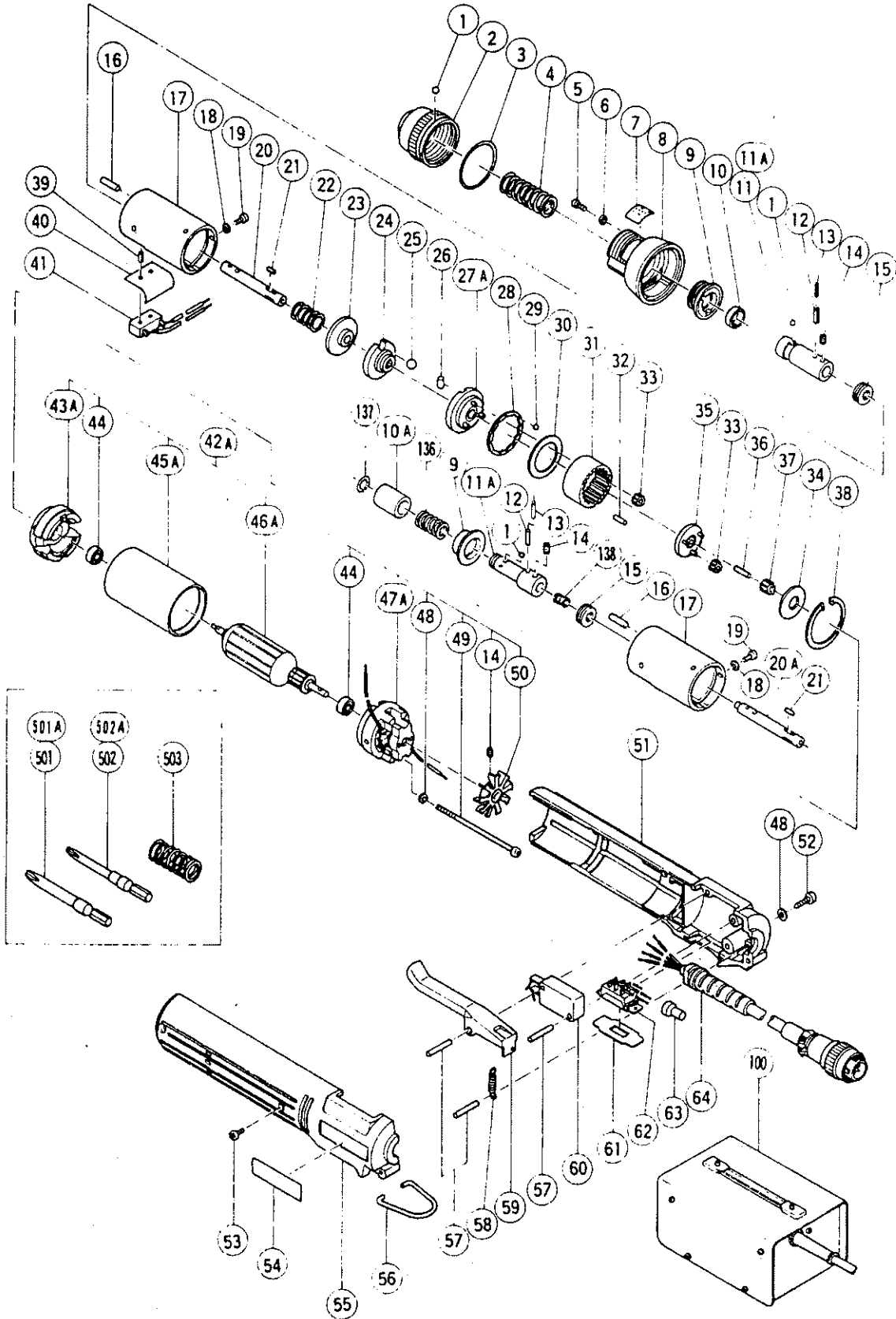
ELECTRIC TOOL PARTS LIST

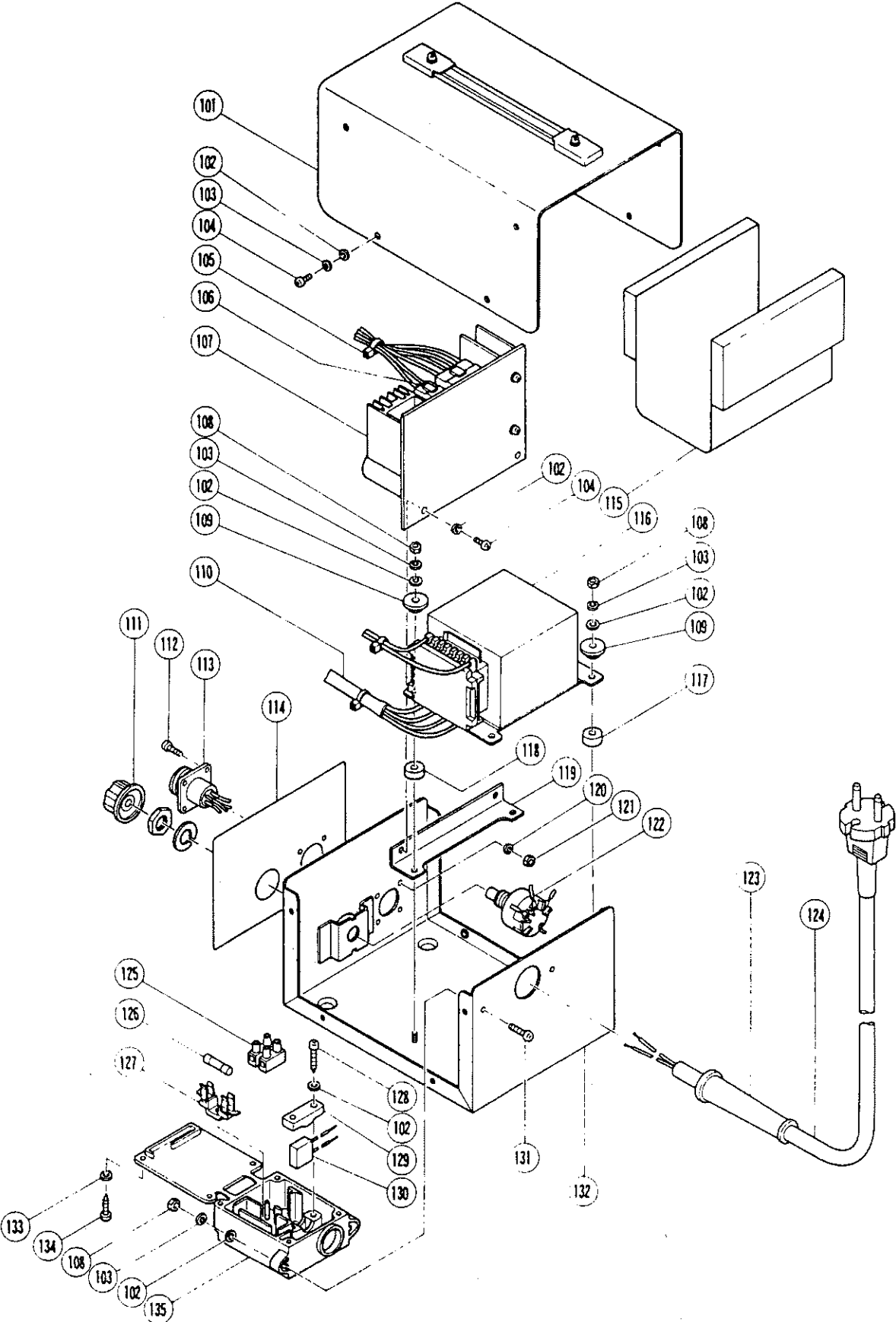
■ DRIVER

1988.3.20

Model WT4SA

WT4SA(E2)





PARTS

WT4SA(E2)

Item No.	Code No.	Part Name	Q'ty	Remarks
1	983637	Steel Ball D2.5	4	
2	987771	Adjust Ring	1	
3	987772	Set Ring (B)	1	
4	983634	Spring (A)	1	
5	983642	Machine Screw M2.6 x 8	2	
6	983705	Spring Lock Washer	2	for M2.6
7	987770	Dial Plate	1	
8	987769	Top Cover	1	
9	987767	Sleeve	1	
10	—	Set Ring (A)	2	See alternative parts
11	—	Socket	1	See alternative parts
12	949860	Roll Pin D2 x 10	1	(10 pcs.)
13	984695	Roll Pin D1.2 x 10	1	
14	983635	Hexagon Socket Hd. Set Screw M3 x 4	2	
15	983633	Thrust Bearing	1	
16	983757	Needle (A) 983627	3	
17	987776	Gear Cover Ass'y	1	includ. 39
18	984690	Spring Lock Washer	3	for M2.3
19	983654	Machine Screw M2.3 x 6	3	
20	—	Shaft	1	See alternative parts
21	983701	Needle (F)	3	
22	984691	Spring (G)	1	
23	983702	Sleeve (B)	1	
24	983616	Clutch (B)	1	
25	959154	Steel Ball D5.55	1	(10 pcs.)
26	983717	Needle (C)	1	
27A	993353	Clutch (A)	1	
28	983619	Retainer	1	
29	983615	Steel Ball D2	12	
30	984693	Washer (A)	1	
31	983621	Ring Gear	1	
32	949465	Pin D2 x 10	1	(10 pcs.)
33	983622	Idle Gear	6	
34	983625	Washer (B)	1	
35	983623	Gear Holder	1	
36	983627	Needle (D)	1	
37	983626	First Sun Pinion	1	
38	939555	C-Type Retaining Ring	1	for I.D. 28 Hole (10 pcs.)
39	949859	Roll Pin D2 x 8	2	(10 pcs.)
40	983643	Insulator (A)	1	
41	987791	Limit Switch	1	
42A	997149	Motor Ass'y	1	includ. 14, 43A-50
43A	984699	Inner Cover	1	
44	983676	Ball Bearing (L-1040ZZ)	2	
45A	993332	Yoke	1	
46A	983675	Armature	1	
47A	983674	End Bracket mit Kohlen	1	
48	949422	Washer	3	for M3 (10 pcs.)
49	983677	Machine Screw M3 x 65	2	
50	983678	Fan	1	
51	983612	Housing (A)	1	
52	983653	Tapping Screw D3 x 12	1	
53	983655	Machine Screw M2.6 x 6	4	

PARTS

WT4SA(E2)

Item No.	Code No.	Part Name	Q'ty	Remarks
54	—	Name Plate	1	
55	983649	Housing (B)	1	
56	980838	Hook	1	
57	949890	Pin D3 x 20	3	(10 pcs.)
58	983647	Spring (D)	1	
59	987768	Lever	1	
60	983685	Micro Switch (B)	1	
61	987775	Switch Plate (B)	1	
62	987773	Reversing Switch	1	
63	959140	Connector (50091)	2	(10 pcs.)
64	987774	D.C. Cord	1	
100	—	Controller	1	includ. 101 ~ 135
101	987790	Box (B)	1	
102	949423	Washer	14	for M4 (10 pcs.)
103	949453	Spring Lock Washer	14	for M4 (10 pcs.)
104	949214	Machine Screw M4 x 6	10	(10 pcs.)
105	983684	Wire Band	4	
106	983708	2P Contact Case (A)	1	
107	983659	Print Board	1	
108	949554	Nut M4	6	(10 pcs.)
109	987788	Insulation Tube	4	
110	984694	Glass Tube	1	
111	983661	Dial	1	
112	949204	Machine Screw M3 x 10	4	(10 pcs.)
113	987779	Metal Consent	1	
114	987778	Label (A)	1	
115	983668	Insulator (B)	1	
116	—	Transformer		See alternative parts
117	987787	Transformer Washer	2	(T5.5)
118	987786	Transformer Washer	2	(T4.5)
119	983667	Plate	1	
120	949451	Spring Lock Washer	4	for M3 (10 pcs.)
121	949553	Nut M3	4	(10 pcs.)
122	983660	Rotary Switch	1	
123	953327	Cord Armor	1	
124	—	Cord	1	See alternative parts
125	983418Z	Pillar Terminal (B)	1	
126	987781	Fuse	1	
127	987782	Fuse Holder	1	
128	954004	Tapping Screw D4 x 16	2	
129	960266	Cord Clip	1	
130	930030	Noise Suppressor	1	
131	949218	Machine Screw M4 x 14	2	(10 pcs.)
132	987777	Box (A) Ass'y	1	
133	949422	Washer	2	for M3 (10 pcs.)
134	983653	Tapping Screw D3 x 12	2	
135	987783	Cable Holder	1	
136	—	Spring (C)	1	See alternative parts
137	—	Stop Ring	1	See alternative parts
138	—	Spring (E)	1	See alternative parts
	983-674	Kohlerz		

ALTERNATIVE PARTS

WT4SA(E2)

Item No.	Code No.	Part Name	Q'ty	Remarks
10	987766	Set Ring (A)	2	(for Korea only till 7. 1987)
10A	983638	Collar	1	for Korea since 8. 1987
11	987765	Socket	1	(for Korea only till 7. 1987)
11A	987793	Socket (S)	1	for F.R. Germany, Netherlands
11A	983629	Socket	1	for Korea since 8. 1987
20	987764	Shaft	1	(for Korea only till 7. 1987)
20A	983614	Shaft	1	for Korea since 8. 1987
116	987780	Transformer	220V	1 for Europe
	987792	Transformer	230V	1 for Singapore
124	500234Z	Cord	220V	1 for Europe
	500223Z	Cord	230V	1 for Singapore
136	983636	Spring (C)	1	for Korea since 8. 1987
137	983730	Stop Ring	1	for Korea since 8. 1987
138	983704	Spring (E)	1	for Korea since 8. 1987

STANDARD ACCESSORIES

Item No.	Code No.	Part Name	Q'ty	Remarks
501	987760	Plus Bit No. 1 6 x 70L	1	
501A	987794	Plus Bit No. 1 D7 x 75L, 9.5	1	for F.R. Germany, Netherlands
502	987762	Plus Bit No. 2 6 x 70L	1	
502A	987796	Plus Bit No. 2 D7 x 75L, 9.5	1	for F.R. Germany, Netherlands
503	987789	Spring (B)	1	

OPTIONAL ACCESSORIES

Item No.	Code No.	Part Name	Q'ty	Remarks
601	987810	Plus Bit No. 0 3 x 50L	1	
601	987811	Plus Bit No. 0 3 x 70L	1	
603	987812	Plus Bit No. 1 3 x 50L	1	
604	987813	Plus Bit No. 1 3 x 70L	1	
605	987761	Plus Bit No. 1 6 x 100L	1	
606	987814	Plus Bit No. 2 4 x 50L	1	
607	987815	Plus Bit No. 2 4 x 70L	1	
608	987763	Plus Bit No. 2 6 x 100L	1	
609	987760	Plus Bit No. 1 6 x 70L	1	
610	987762	Plus Bit No. 2 6 x 70L	1	
611	987795	Plus Bit No. 1 D7 x 100L, 9.5	1	
612	987797	Plus Bit No. 2 D7 x 100L, 9.5	1	
613	987765	Socket	1	